

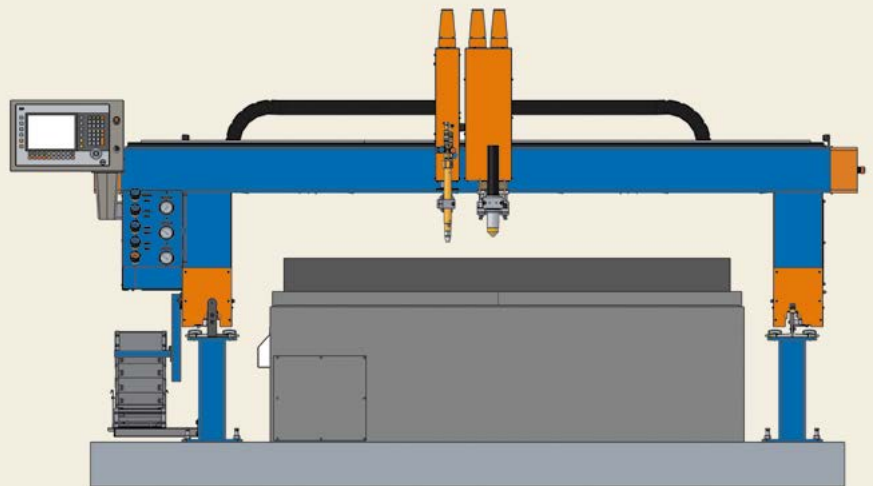
- > OXY-FUEL / PLASMA
- > EFFICIENT OPERATION
- > GREAT PERFORMANCE
- > EASY TO OPERATE



Features

- High positioning accuracy, even during long-term operation
- Power Panel 500 touch screen with a technological keyboard for easy operation control
- Motors with high torque features – good dynamic properties
- Standard thickness of the cut material up to 150 mm
- Transfer of cutting plans via the USB or LAN network
- Elimination of downtime during operation
- High-performance, operationally stable, user-friendly CNC system

The Vanad ARENA CNC cutting machine is an optimal solution with a simple design. It is designed mainly for medium-sized enterprises. The machine is intended for the processing of standard metal sheets and has been designed for the installation of either simple plasma or oxy-fuel technology. The machine is equipped with a touch screen with a technological keyboard.



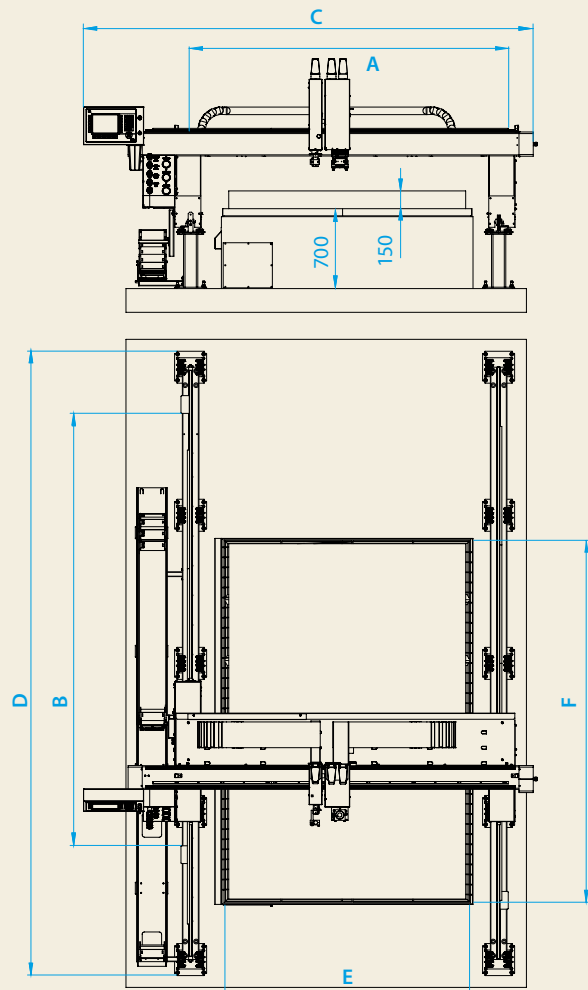
◀ The ARENA CNC cutting machine with a touch panel and oxy-fuel torch. The oxy-fuel torch is equipped with IHT height control system. Tigemma exhaust and filter unit form a part of the station

Standard equipment

- Double-sided longitudinal travel
- B&R control system
- Flexible energy chains
- Transfer of cutting plans via the USB or LAN network
- Exact control of the ignition and working height of the torch

Optional equipment

- Laser pointer for setting of the initial torch position
- CAD/CAM software for preparation of cutting data
- Electric flame ignition of the oxy-fuel torch
- IHT capacitive height control of the oxy-fuel torch



Vanad ARENA		15	20
Working width of the machine	A [mm]	1634	2134
Working length of the machine	B [mm]		3230, 4230, 6230
Total width of the machine	C [mm]	3300	3800
Total length of the machine	D [mm]		5270, 6270, 8270
Loading width for metal sheet	E [mm]	1600	2100
Loading length for metal sheet	F [mm]		3000, 4000, 6000
Maximum travel speed	[m/min]		12,7
Maximum number of units		1 main unit, 1 secondary (oxy-fuel) unit	



◀ Mobile touch panel is an optional solution for the machine operation control

▶ Comprehensive cutting station ARENA implemented in 2014. The CNC machine of the size 2 x 4 m is equipped with plasma and oxy-fuel technology for cutting up to 150 mm, with IHT capacitive height control and drilling unit. The Kemper exhaust and filter unit forms a part of the station

